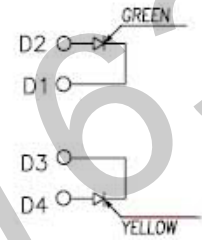
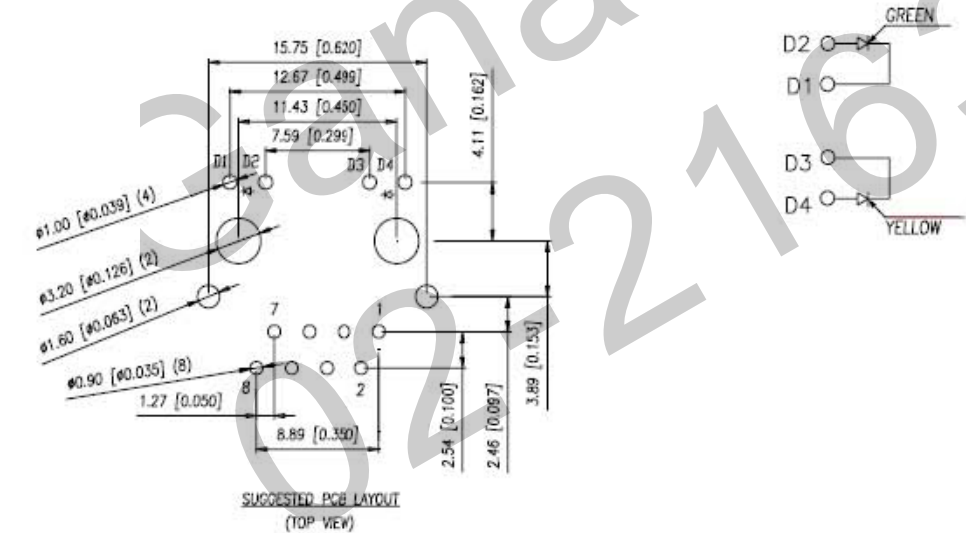
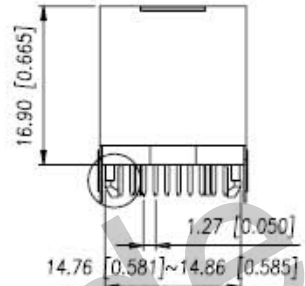
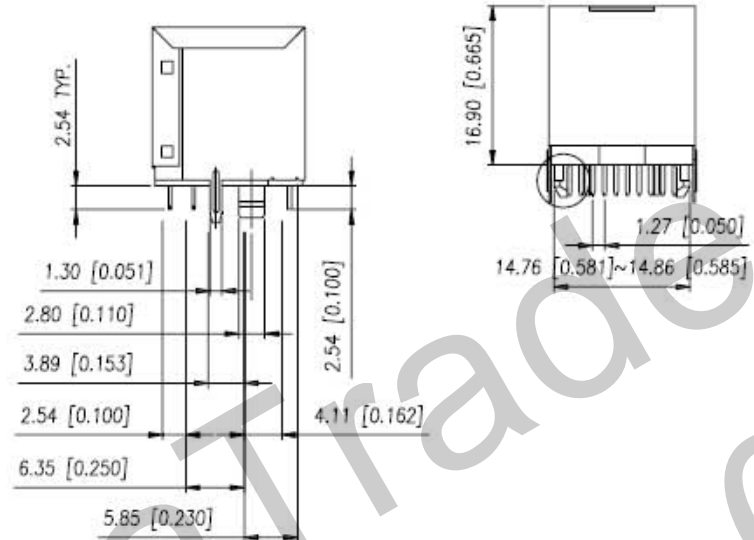
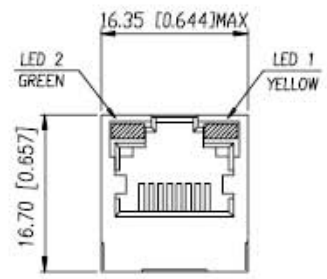


1 Port RJ-45 Jack Top Entry With 10/100 Base-T Magnetics Module

ROHS

更改 REV	修改内容 MODIFICATION	日期 DATE	制图 DRAW	核准 APPROVE
A	图面发行	2012/10/29	JDL	Oscar

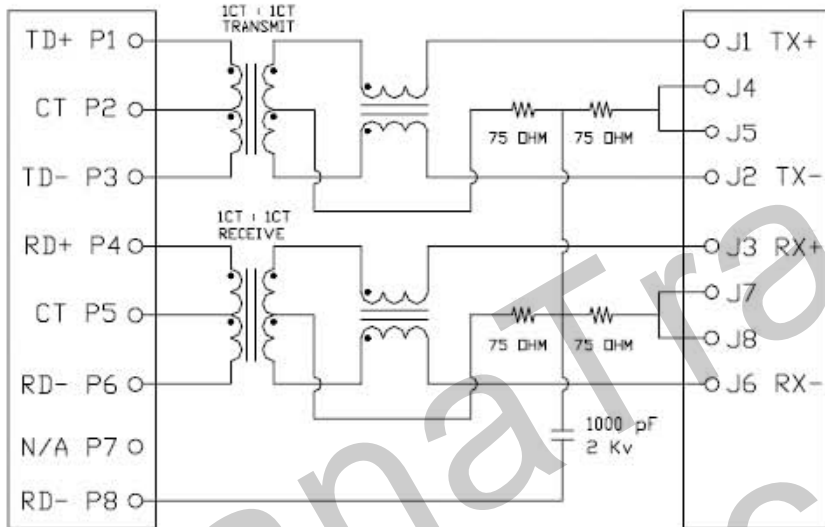


NOTES:
MATERIAL:
 1. HOUSING MATERIAL :GLASS FILLED POLYESTER(UL94V-0).
 2. CONTACT MATERIAL :PHOSPHOR BRONZE T=0.35mm
 3. PLATING :GOLD PLATING OVER NICKEL.
 4. SHIELD :COPPER ALLOY 0.20mm THICKNESS PLATING Ni.
 5. LED OPTION.
ELECTRICAL:
 1. VOLTAGE RATING :125 VAC RMS.
 2. CURRENT RATING :1.5 AMP.
 3. CONTACT RESISTANCE :50 MILLIOHMS MAX.
 4. INSULATION RESISTANCE :500 MEGOHMS MIN @ 500V DC.
 5. DIELECTRIC WITHSTANDING RESISTANCE :1000V AC RMS 50Hz 1MIN.
 6. LED RATINGS: FORWARD VOLTAGE:2.2 VOLTS TYPICAL. REVERSE VOLTAGE:5 VOLTS MAXIMUM.
MECHANICAL:
 1. DURABILITY :750 CYCLES MIN.
 2. PCB RETENTION PRE-SOLDER :1 LB MIN.
ENVIRONMENTAL:
 1. STORAGE : -20°C TO +85°C.
 2. OPERATION : 0°C TO 70°C.
 MATES WITH MODULAR PLUG CONFORMING TO FCC PART 68, SUBPART F.

QC : Inspection Item	Cp/Cpk and SPC Control Item	DIMENSION N mm [Inch]	HDC 有限公司	
		TOLERANCE UNLESS OTHERWISE SPECIFIED	文件号 FILE NO.	图号 DWG NO. GRJJ-H7134
		.X± 0.20 X.*± 1*	名称 TITLE 10/100Base-T Magnetics Module RJ45 PCB JACK WITH SHIELDED , TOP ENTRY, TAB-UP, Flat PIN	
		.XX± 0.15 .X*± 0.5* .XXX± 0.075	核准 APPROVE Oscar	核准 CHECK Oscar
比例 SCALE 1:1	图幅 SIZE A3	张数 SHEET 1	页次 REV A	1/1

ELECTRICAL SPECIFICATIONS @ 25°C+/-5°C unless otherwise noted:

Schematics:



Insertion Loss: 1-100MHZ -1.0dB MAX

Return Loss: 1-30MHZ -16.0dB MIN
30-60MHZ -14.0dB MIN
60-80MHZ -10.0dB MIN

Cross Talk: 1-30MHZ -40.0dB MIN
30-60MHZ -35.0dB MIN
60-80MHZ -30.0dB MIN

CMR: 1-100MHZ -35.0dB MIN

HI-Pot: 1500v AC 6S 1mA

OCL:350uH MIN @ 100KHZ 100mV 8mA DC

Turn Ratio: 1CT:1CT+/-3%

Operating temperature range:0°C to +70°C

Housing Material: PBT Black

更改 REV	修改内容 MODIFICATION	日期 DATE	绘图 DRAW	审核 APPROVE
A	图纸发行	2012/10/29	JDL	Oscar

QC : Inspection Item	Cpk : Cp/Cpk and SPC Control Item	DIMENSION IN mm [Inch]		HDC 有限公司	
		TOLERANCE UNLESS OTHERWISE SPECIFIED		文件号 FILE NO.	图号 DWG NO. GRJJ-H7134
		.X± 0.20	X.*± 1*	名称 TITLE 10/100Base-T Magnetics Module RJ45 PCB JACK WITH SHIELDED , TOP ENTRY,TAB-UP,Flat PIN	
		.XX± 0.15	.X*± 0.5*		
.XXX± 0.075		审核 DRAW Oscar	审核 PROJ. 1/1	审核 SHEET 1/1	审核 REV A